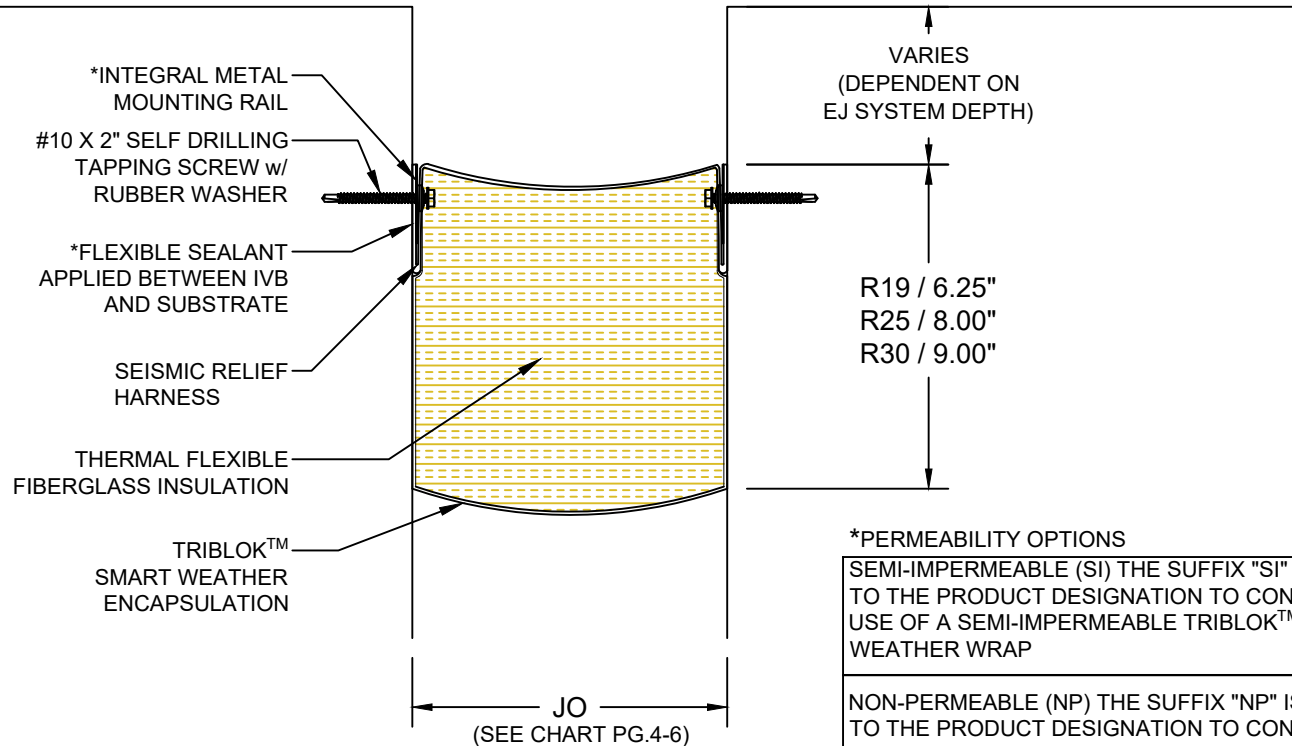


EXPANSION JOINT (EJ) COVER NOT SHOWN



***PERMEABILITY OPTIONS**

SEMI-IMPERMEABLE (SI) THE SUFFIX "SI" IS ADDED TO THE PRODUCT DESIGNATION TO CONVEY THE USE OF A SEMI-IMPERMEABLE TRIBLOK™ SMART WEATHER WRAP

NON-PERMEABLE (NP) THE SUFFIX "NP" IS ADDED TO THE PRODUCT DESIGNATION TO CONVEY THE USE OF A NON-PERMEABLE WEATHER WRAP VAPOR RETARDER

***ATTACHMENT METHODS**

IVB-100 THROUGH IVB-600 ATTACHES WITH 30 mil X 2" DOUBLE SIDED MIRCOWATERSEAL TAPE

IVB-700 THROUGH IVB-2000 ATTACHES WITH ANCHOR + INTEGRAL METAL MOUNTING RAIL AND FLEXIBLE SEALANT

**IVB SERIES
INSULATED VAPOR BARRIER**
100 through 2000
(Horizontal / Roof)



**MM
SYSTEMS**

50 MM WAY
PENDERGRASS, GA. 30567
706-824-7500 PHONE
800-241-3460 TOLL FREE
706-824-7501 FAX

www.mm.systems

For Spec-Data, Install Guides, and other data visit www.mm.systems

RIGHTS OF DESIGN

All rights of design, detail, engineering and/or invention contained herein are the property of MM Systems and hereby reserved and are not to be reproduced or provided to any other party. MM Systems reserves the right to amend or withdraw any information contained herein without notice and will not be liable for any inaccuracy or ambiguity of said information.

Insulated Vapor Barrier

IVB Series (Horizontal)

Drawn by: JPS	Scale: NTS	Drawing Number: 51000-01
SHT. 1 OF 7	Issue Date: 05/17/2023	

***PERMEABILITY OPTIONS**

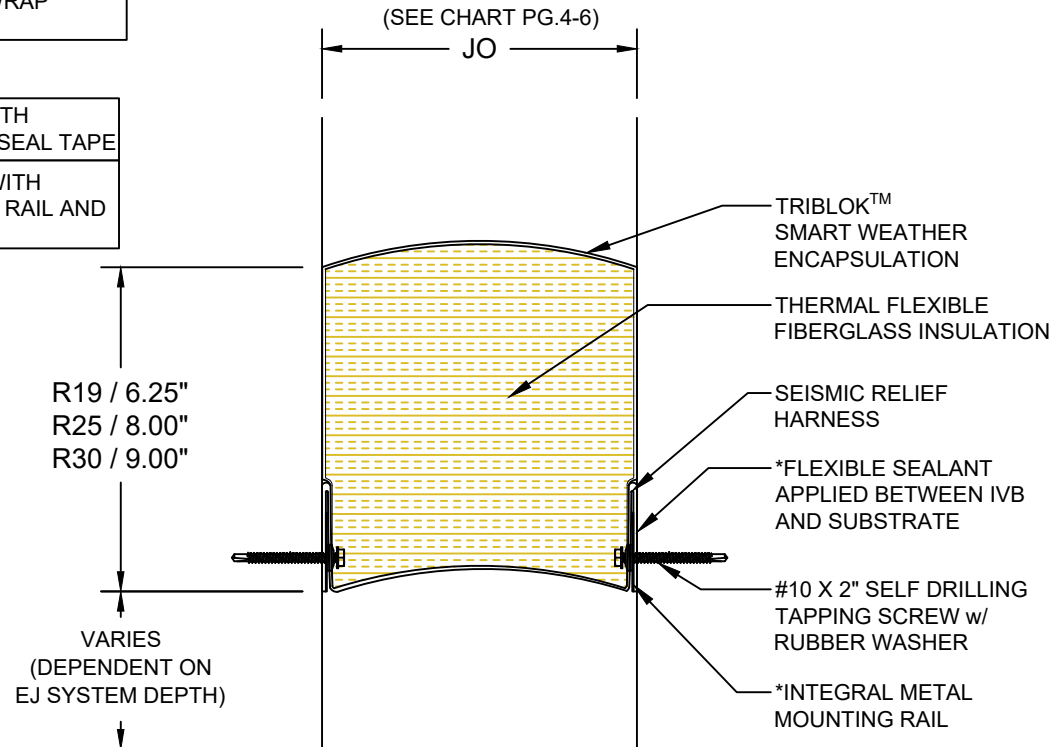
SEMI-IMPERMEABLE (SI) THE SUFFIX "SI" IS ADDED TO THE PRODUCT DESIGNATION TO CONVEY THE USE OF A SEMI-IMPERMEABLE TRIBLOK™ SMART WEATHER WRAP

NON-PERMEABLE (NP) THE SUFFIX "NP" IS ADDED TO THE PRODUCT DESIGNATION TO CONVEY THE USE OF A NON-PERMEABLE WEATHER WRAP VAPOR RETARDER

***ATTACHMENT METHODS**

IVB-100 THROUGH IVB-600 ATTACHES WITH 30 mil X 2" DOUBLE SIDED MIRCOWATERSEAL TAPE

IVB-700 THROUGH IVB-2000 ATTACHES WITH ANCHOR + INTEGRAL METAL MOUNTING RAIL AND FLEXIBLE SEALANT



EXPANSION JOINT (EJ) COVER NOT SHOWN

**IVB SERIES
INSULATED VAPOR BARRIER**

100 through 2000
(Vertical / Wall)



50 MM WAY
PENDERGRASS, GA. 30567
706-824-7500 PHONE
800-241-3460 TOLL FREE
706-824-7501 FAX

www.mm.systems

For Spec-Data, Install Guides, and other data visit www.mm.systems

RIGHTS OF DESIGN

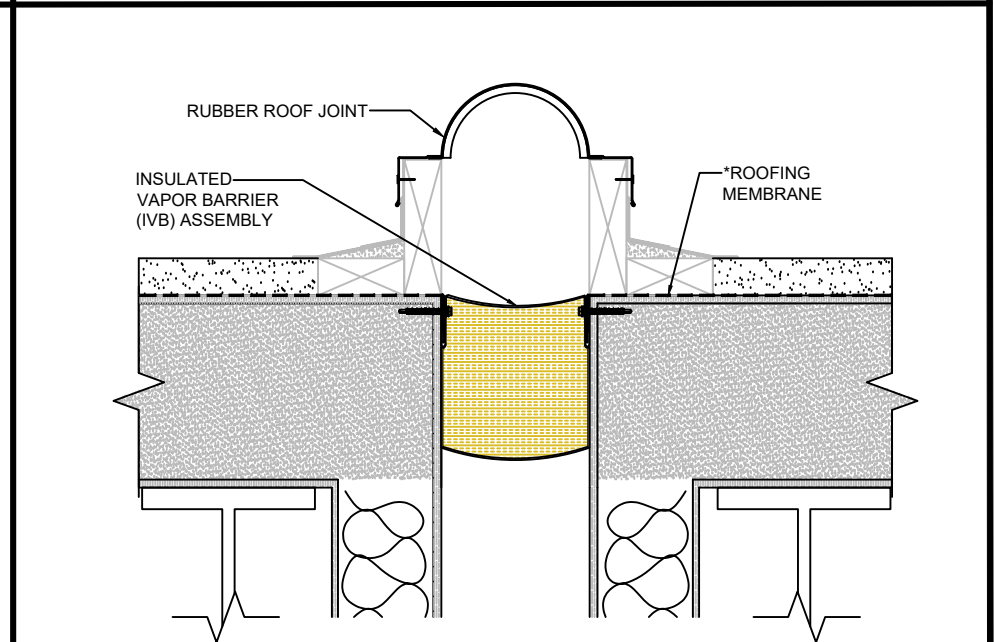
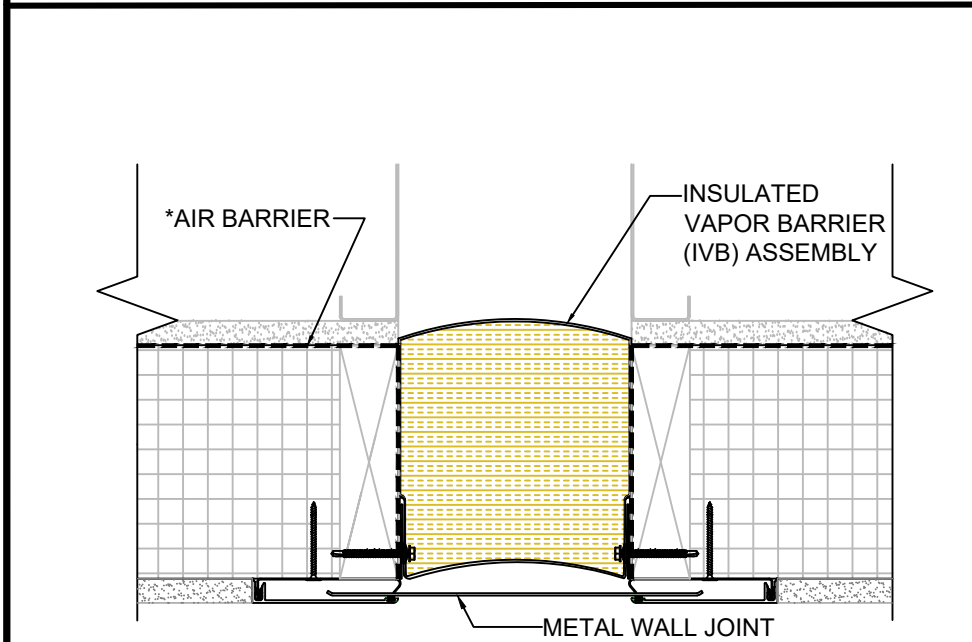
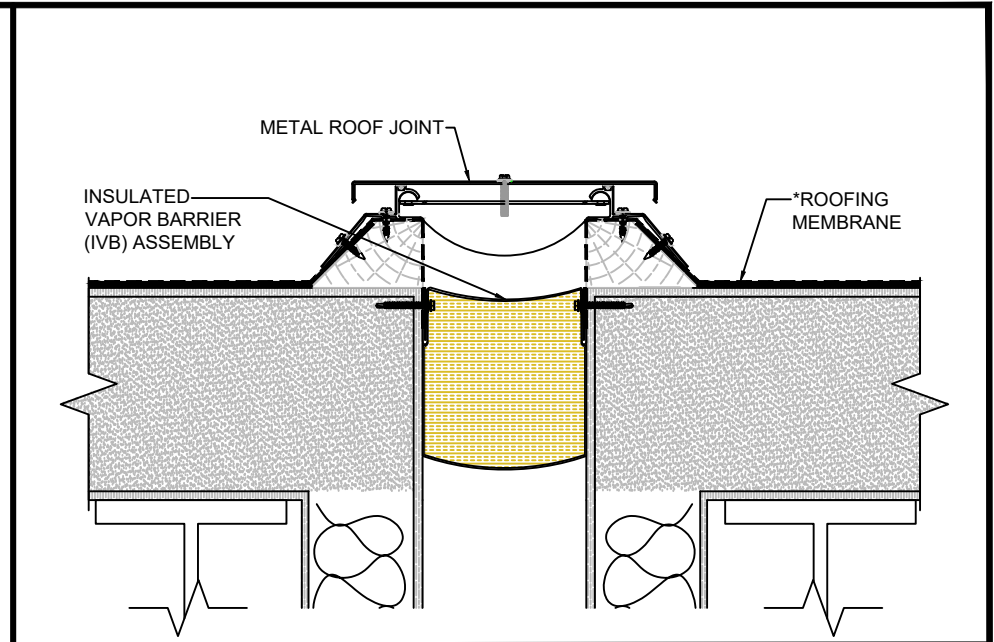
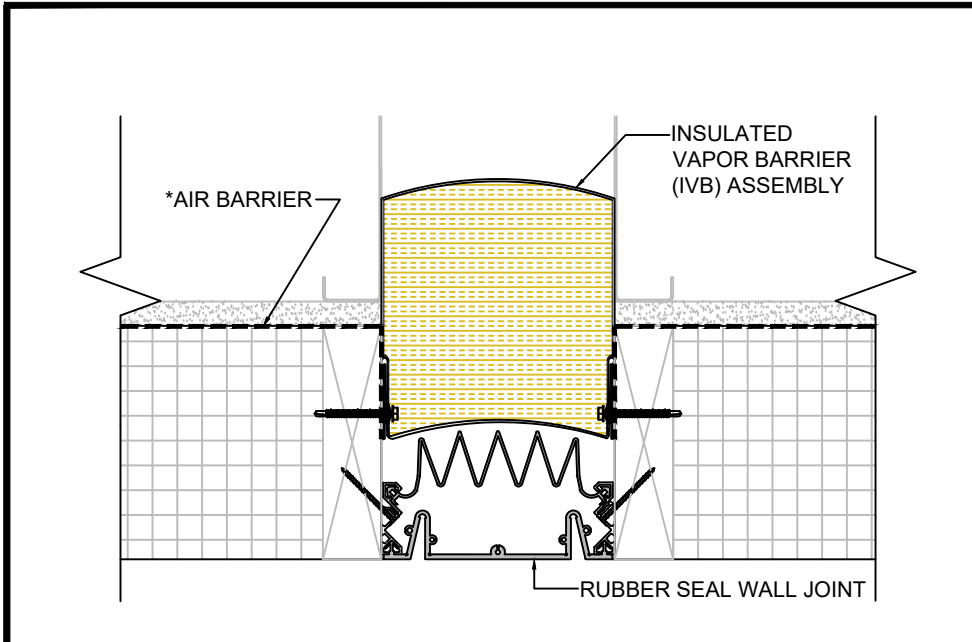
All rights of design, detail, engineering and/or invention contained herein are the property of MM Systems and hereby reserved and are not to be reproduced or provided to any other party. MM Systems reserves the right to amend or withdraw any information contained herein without notice and will not be liable for any inaccuracy or ambiguity of said information.

Insulated Vapor Barrier

IVB Series (Vertical)

Drawn by: JPS	Scale: NTS	Drawing Number: 51000-02
SHT. 2 OF 7	Issue Date: 05/17/2023	

*AIR BARRIER & ROOFING MEMBRANE LOCATION IS FOR REFERENCE ONLY AND MAY BE RELOCATED BASED ON PROJECT SPECIFIC REQUIREMENTS.



50 MM WAY
PENDERGRASS, GA. 30567
706-824-7500 PHONE
800-241-3460 TOLL FREE
706-824-7501 FAX

www.mm.systems

For Spec-Data, Install Guides, and other data visit www.mm.systems

RIGHTS OF DESIGN

All rights of design, detail, engineering and/or invention contained herein are the property of MM Systems and hereby reserved and are not to be reproduced or provided to any other party. MM Systems reserves the right to amend or withdraw any information contained herein without notice and will not be liable for any inaccuracy or ambiguity of said information.

Insulated Vapor Barrier

IVB Series Installations Examples

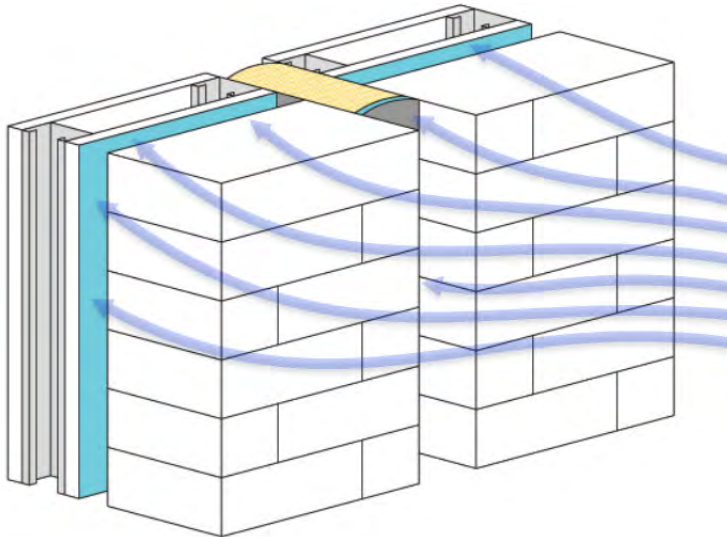
Drawn by: JPS	Scale: NTS	Drawing Number:
SHT. 3 OF 7	Issue Date: 05/17/2023	51000-03

R19

IVB SERIES MOVEMENT CHART

Model Number	Joint Opening (JO ^N)		Thermal Movement (JO ^T)				Seismic Movement (JO ^S)				Total Movement (JO ^A)	
	Nominal		Minimum		Maximum		Minimum		Maximum			
IVB-100-R19	1.00	25	0.50	13	1.50	38	0.50	13	1.50	38	1.00	25
IVB-200-R19	2.00	51	1.00	25	3.00	76	1.00	25	3.00	76	2.00	51
IVB-300-R19	3.00	76	1.50	38	4.50	114	1.50	38	4.50	114	3.00	76
IVB-400-R19	4.00	102	2.00	51	6.00	152	2.00	51	6.00	152	4.00	102
IVB-500-R19	5.00	127	3.00	76	7.00	178	2.50	64	7.50	191	5.00	127
IVB-600-R19	6.00	152	4.00	102	8.00	203	3.00	76	9.00	229	6.00	152
IVB-700-R19	7.00	178	5.00	127	9.00	229	3.50	89	10.50	267	7.00	178
IVB-800-R19	8.00	203	6.00	152	10.00	254	4.00	102	12.00	305	8.00	203
IVB-900-R19	9.00	229	7.00	178	11.00	279	4.50	114	13.50	343	9.00	229
IVB-1000-R19	10.00	254	8.00	203	12.00	305	5.00	127	15.00	381	10.00	254
IVB-1200-R19	12.00	305	10.00	254	14.00	356	6.00	152	18.00	457	12.00	305
IVB-1400-R19	14.00	356	12.00	305	16.00	406	7.00	178	21.00	533	14.00	356
IVB-1600-R19	16.00	406	14.00	356	18.00	457	8.00	203	24.00	610	16.00	406
IVB-1800-R19	18.00	457	16.00	406	20.00	508	9.00	229	27.00	686	18.00	457
IVB-2000-R19	20.00	508	18.00	457	22.00	559	10.00	254	30.00	762	20.00	508

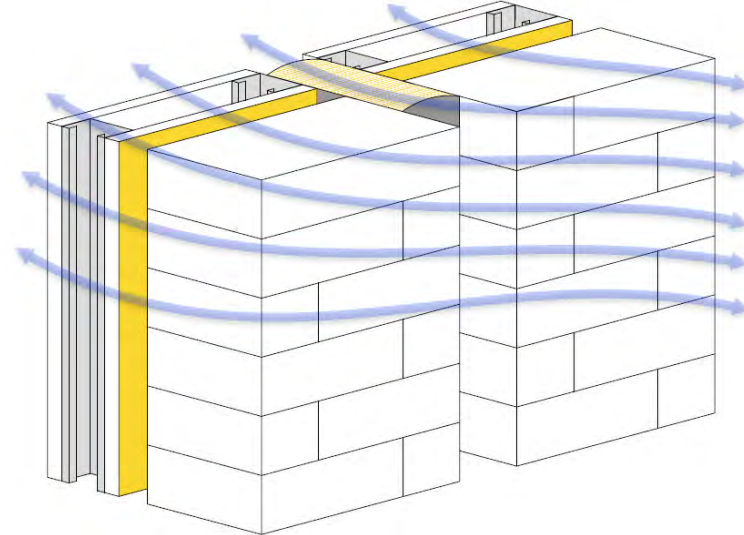
Dimension shown in inches (**bold**) and millimeters.



NON-PERMEABLE (NP)

The suffix NP is added to the product designation to convey the use of a Non-Permeable Weather Wrap Vapor Retarder with a <0.1 perm rating (ASTM E96) that minimizes all vapor diffusion and is coupled with fungi-resistant fiberglass insulation.

Model Designation Example: **IVB-800-R19-NP**



SEMI-IMPERMEABLE (SI)

The suffix SI is added to the product designation to convey the use of a Semi-Impermeable TriBlok™ Smart Weather Wrap that is breathable with a 0.64 perm rating (ASTM E96) coupled with fungi-resistant fiberglass insulation.

Model Designation Example: **IVB-800-R19-SI**



50 MM WAY
 PENDERGRASS, GA. 30567
 706-824-7500 PHONE
 800-241-3460 TOLL FREE
 706-824-7501 FAX

www.mm.systems

For Spec-Data, Install Guides, and other data visit www.mm.systems

RIGHTS OF DESIGN

All rights of design, detail, engineering and/or invention contained herein are the property of MM Systems and hereby reserved and are not to be reproduced or provided to any other party. MM Systems reserves the right to amend or withdraw any information contained herein without notice and will not be liable for any inaccuracy or ambiguity of said information.

Insulated Vapor Barrier

IVB R19 Series Movement Chart

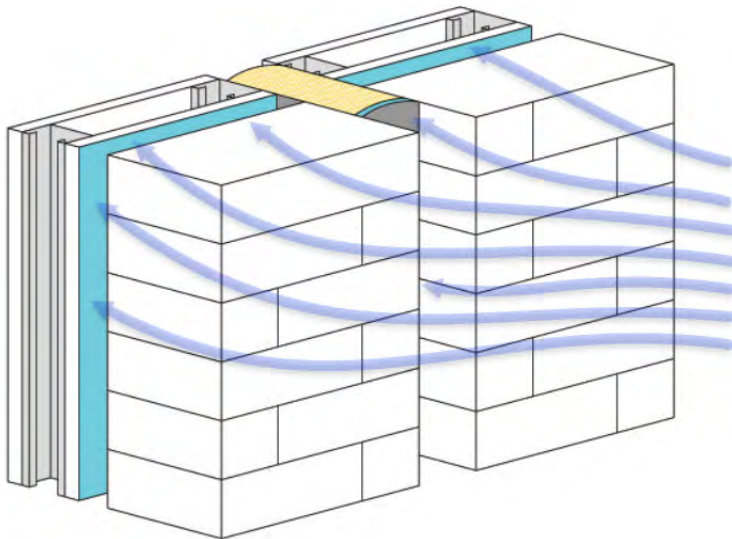
Drawn by: JPS	Scale: NTS	Drawing Number: 51000-04
SHT. 4 OF 7	Issue Date: 05/17/2023	

R25

IVB SERIES MOVEMENT CHART

Model Number	Joint Opening (JO ^M)		Thermal Movement (JO ^T)				Seismic Movement (JO ^S)				Total Movement (JO ^A)	
	Nominal		Minimum		Maximum		Minimum		Maximum			
	IVB-100-R25	1.00	25	0.50	13	1.50	38	0.50	13	1.50	38	1.00
IVB-200-R25	2.00	51	1.00	25	3.00	76	1.00	25	3.00	76	2.00	51
IVB-300-R25	3.00	76	1.50	38	4.50	114	1.50	38	4.50	114	3.00	76
IVB-400-R25	4.00	102	2.00	51	6.00	152	2.00	51	6.00	152	4.00	102
IVB-500-R25	5.00	127	3.00	76	7.00	178	2.50	64	7.50	191	5.00	127
IVB-600-R25	6.00	152	4.00	102	8.00	203	3.00	76	9.00	229	6.00	152
IVB-700-R25	7.00	178	5.00	127	9.00	229	3.50	89	10.50	267	7.00	178
IVB-800-R25	8.00	203	6.00	152	10.00	254	4.00	102	12.00	305	8.00	203
IVB-900-R25	9.00	229	7.00	178	11.00	279	4.50	114	13.50	343	9.00	229
IVB-1000-R25	10.00	254	8.00	203	12.00	305	5.00	127	15.00	381	10.00	254
IVB-1200-R25	12.00	305	10.00	254	14.00	356	6.00	152	18.00	457	12.00	305
IVB-1400-R25	14.00	356	12.00	305	16.00	406	7.00	178	21.00	533	14.00	356
IVB-1600-R25	16.00	406	14.00	356	18.00	457	8.00	203	24.00	610	16.00	406
IVB-1800-R25	18.00	457	16.00	406	20.00	508	9.00	229	27.00	686	18.00	457
IVB-2000-R25	20.00	508	18.00	457	22.00	559	10.00	254	30.00	762	20.00	508

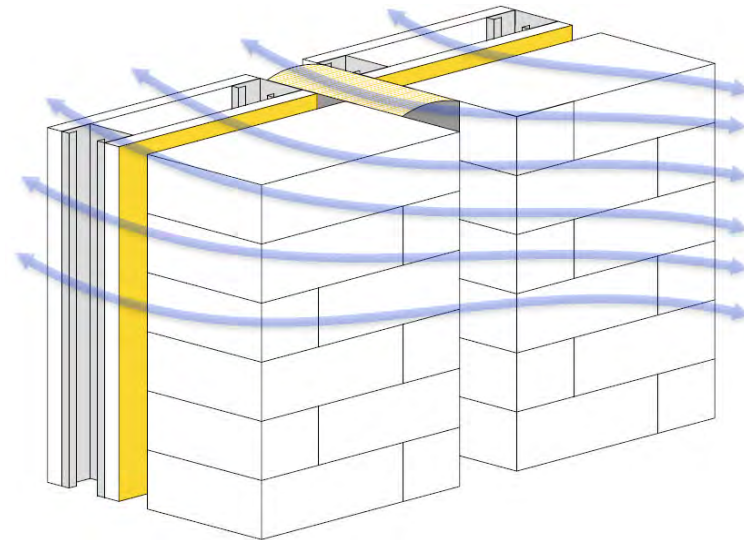
Dimension shown in inches (**bold**) and millimeters.



NON-PERMEABLE (NP)

The suffix NP is added to the product designation to convey the use of a Non-Permeable Weather Wrap Vapor Retarder with a <0.1 perm rating (ASTM E96) that minimizes all vapor diffusion and is coupled with fungi-resistant fiberglass insulation.

Model Designation Example: **IVB-800-R25-NP**



SEMI-IMPERMEABLE (SI)

The suffix SI is added to the product designation to convey the use of a Semi-Impermeable TriBlok™ Smart Weather Wrap that is breathable with a 0.64 perm rating (ASTM E96) coupled with fungi-resistant fiberglass insulation.

Model Designation Example: **IVB-800-R25-SI**



50 MM WAY
PENDERGRASS, GA. 30567
706-824-7500 PHONE
800-241-3460 TOLL FREE
706-824-7501 FAX

www.mm.systems

For Spec-Data, Install Guides, and other data visit www.mm.systems

RIGHTS OF DESIGN

All rights of design, detail, engineering and/or invention contained herein are the property of MM Systems and hereby reserved and are not to be reproduced or provided to any other party. MM Systems reserves the right to amend or withdraw any information contained herein without notice and will not be liable for any inaccuracy or ambiguity of said information.

Insulated Vapor Barrier

IVB R25 Series Movement Chart

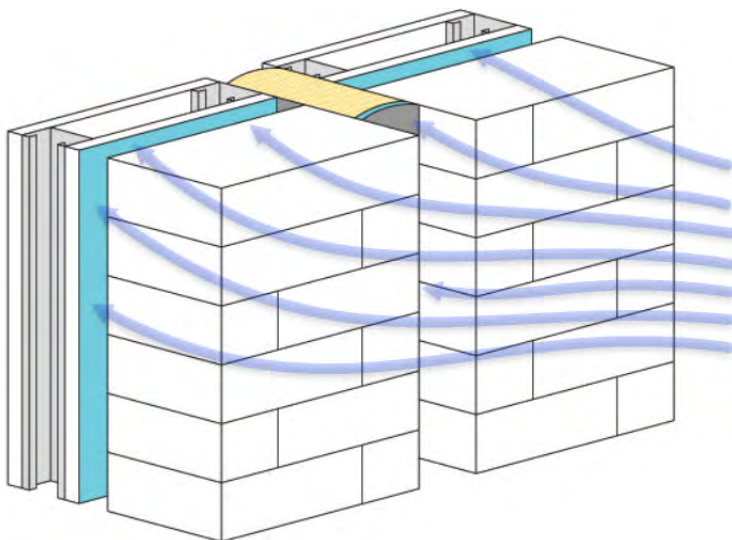
Drawn by: JPS	Scale: NTS	Drawing Number:
SHT. 5 OF 7	Issue Date: 05/17/2023	51000-05

R30

IVB SERIES MOVEMENT CHART

Model Number	Joint Opening (JO ^N)		Thermal Movement (JO ^T)				Seismic Movement (JO ^S)				Total Movement (JO ^A)	
	Nominal		Minimum		Maximum		Minimum		Maximum			
	inches	mm	inches	mm	inches	mm	inches	mm	inches	mm	inches	mm
IVB-100-R30	1.00	25	0.50	13	1.50	38	0.50	13	1.50	38	1.00	25
IVB-200-R30	2.00	51	1.00	25	3.00	76	1.00	25	3.00	76	2.00	51
IVB-300-R30	3.00	76	1.50	38	4.50	114	1.50	38	4.50	114	3.00	76
IVB-400-R30	4.00	102	2.00	51	6.00	152	2.00	51	6.00	152	4.00	102
IVB-500-R30	5.00	127	3.00	76	7.00	178	2.50	64	7.50	191	5.00	127
IVB-600-R30	6.00	152	4.00	102	8.00	203	3.00	76	9.00	229	6.00	152
IVB-700-R30	7.00	178	5.00	127	9.00	229	3.50	89	10.50	267	7.00	178
IVB-800-R30	8.00	203	6.00	152	10.00	254	4.00	102	12.00	305	8.00	203
IVB-900-R30	9.00	229	7.00	178	11.00	279	4.50	114	13.50	343	9.00	229
IVB-1000-R30	10.00	254	8.00	203	12.00	305	5.00	127	15.00	381	10.00	254
IVB-1200-R30	12.00	305	10.00	254	14.00	356	6.00	152	18.00	457	12.00	305
IVB-1400-R30	14.00	356	12.00	305	16.00	406	7.00	178	21.00	533	14.00	356
IVB-1600-R30	16.00	406	14.00	356	18.00	457	8.00	203	24.00	610	16.00	406
IVB-1800-R30	18.00	457	16.00	406	20.00	508	9.00	229	27.00	686	18.00	457
IVB-2000-R30	20.00	508	18.00	457	22.00	559	10.00	254	30.00	762	20.00	508

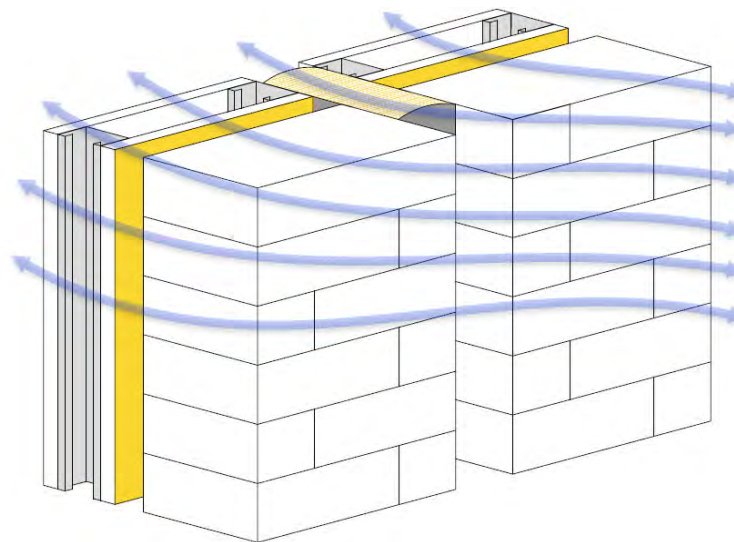
Dimension shown in inches (**bold**) and millimeters.



NON-PERMEABLE (NP)

The suffix NP is added to the product designation to convey the use of a Non-Permeable Weather Wrap Vapor Retarder with a <0.1 perm rating (ASTM E96) that minimizes all vapor diffusion and is coupled with fungi-resistant fiberglass insulation.

Model Designation Example: **IVB-800-R30-NP**



SEMI-IMPERMEABLE (SI)

The suffix SI is added to the product designation to convey the use of a Semi-Impermeable TriBlok™ Smart Weather Wrap that is breathable with a 0.64 perm rating (ASTM E96) coupled with fungi-resistant fiberglass insulation.

Model Designation Example: **IVB-800-R30-SI**



50 MM WAY
PENDERGRASS, GA. 30567
706-824-7500 PHONE
800-241-3460 TOLL FREE
706-824-7501 FAX

www.mm.systems

For Spec-Data, Install Guides, and other data visit www.mm.systems

RIGHTS OF DESIGN

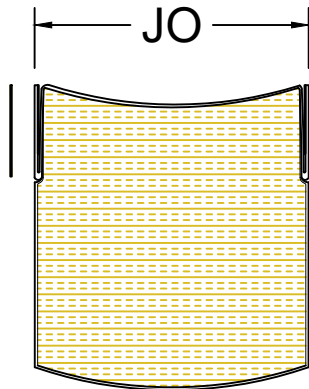
All rights of design, detail, engineering and/or invention contained herein are the property of MM Systems and hereby reserved and are not to be reproduced or provided to any other party. MM Systems reserves the right to amend or withdraw any information contained herein without notice and will not be liable for any inaccuracy or ambiguity of said information.

Insulated Vapor Barrier

IVB R30 Series Movement Chart

Drawn by: JPS	Scale: NTS	Drawing Number: 51000-06
SHT. 6 OF 7	Issue Date: 05/17/2023	

ANCHOR SCREW ②



③ MICROWATERSEAL TAPE

① INSULATED VAPOR BARRIER ASSEMBLY

*IVB-100 THROUGH IVB-600 ATTACHES WITH 30 mil X 2" DOUBLE SIDED MIRCOWATERSEAL TAPE

*IVB-700 THROUGH IVB-2000 ATTACHES WITH ANCHOR + INTEGRAL METAL MOUNTING RAIL

LOCATOR	①	①	①	②	③
PART DESIGNATION	R19 IVB ASSEMBLY	R25 IVB ASSEMBLY	R30 IVB ASSEMBLY	ANCHOR SCREW	MICROWATERSEAL TAPE
IVB-100	IB-0037	IB-0040	IB-0043	-	MT-0002
IVB-200	IB-0038	IB-0041	IB-0044	-	MT-0002
IVB-300	IB-0039	IB-0042	IB-0045	-	MT-0002
IVB-400	IB-0001	IB-0013	IB-0025	-	MT-0002
IVB-500	IB-0002	IB-0014	IB-0026	-	MT-0002
IVB-600	IB-0003	IB-0015	IB-0027	-	MT-0002
IVB-700	IB-0004	IB-0016	IB-0028	AN-0027	-
IVB-800	IB-0005	IB-0017	IB-0029	AN-0027	-
IVB-900	IB-0006	IB-0018	IB-0030	AN-0027	-
IVB-1000	IB-0007	IB-0019	IB-0031	AN-0027	-
IVB-1200	IB-0008	IB-0020	IB-0032	AN-0027	-
IVB-1400	IB-0009	IB-0021	IB-0033	AN-0027	-
IVB-1600	IB-0010	IB-0022	IB-0034	AN-0027	-
IVB-1800	IB-0011	IB-0023	IB-0035	AN-0027	-
IVB-2000	IB-0012	IB-0024	IB-0036	AN-0027	-



50 MM WAY
PENDERGRASS, GA. 30567
706-824-7500 PHONE
800-241-3460 TOLL FREE
706-824-7501 FAX

www.mm.systems

For Spec-Data, Install Guides, and other data visit www.mm.systems

RIGHTS OF DESIGN

All rights of design, detail, engineering and/or invention contained herein are the property of MM Systems and hereby reserved and are not to be reproduced or provided to any other party. MM Systems reserves the right to amend or withdraw any information contained herein without notice and will not be liable for any inaccuracy or ambiguity of said information.

Insulated Vapor Barrier

IVB Series Part Numbers

Drawn by: JPS	Scale: NTS	Drawing Number: 51000-07
SHT. 7 OF 7	Issue Date: 05/17/2023	